



PT-L1/L3/L10 SERIES

Amplified Output Industrial Pressure Transducers

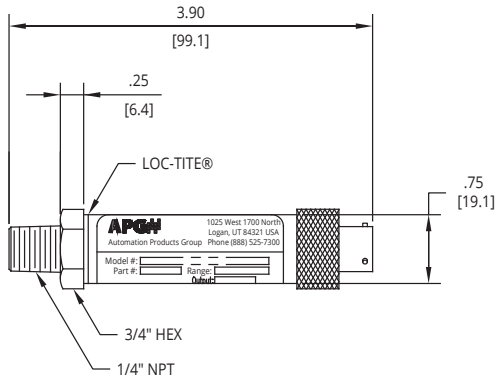
Our amplified output pressure transducers are the economical answer for all applications requiring high accuracy and reliability over a wide range of pressures. The PT-L1/L3/L10 pressure transducers offer ranges up to 10,000 psi, all stainless steel construction, high burst pressure, and high accuracy.

FEATURES

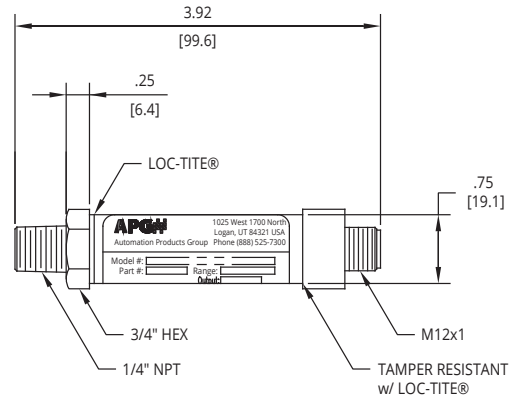
- Cost effective
- High overpressure capability
- Zero and span adjustments
- Single piece stainless steel process fitting and sensor

PT-L1/L3/L10 SPECIFICATIONS

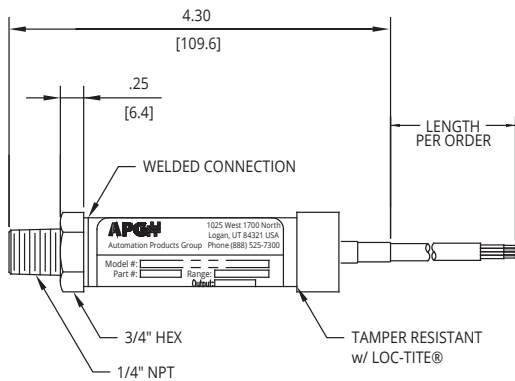
All dimensions are only approximate. For application-specific inquiries, please contact our application specialists. Drawings not intended for replication.



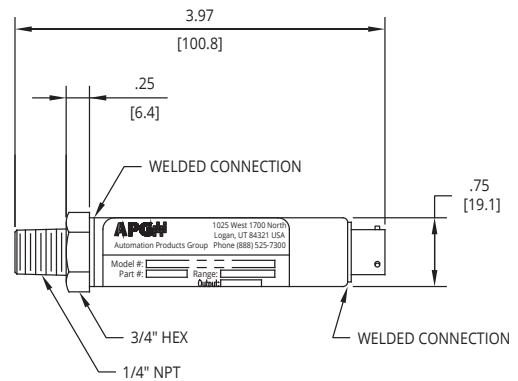
K0, E3 - KNURLED NUT, 4-PIN BAYONET
4-PIN BAYONET w/ KNURLED NUT
CAN - PROCESS CONNECTION w/ LOC-TITE®



K1, E4 - TAMPER RESISTANT NUT, 4-PIN M12
EUROFAST M12 w/ TAMPER RESISTANT NUT & LOC-TITE®
CAN - PROCESS CONNECTION w/ LOC-TITE®



K2, E5 - TAMPER RESISTANT NUT, PIGTAIL
CABLE PIGTAIL w/ TAMPER RESISTANT NUT & LOC-TITE®
CAN - PROCESS CONNECTION WELDED



K3, E3 - WELDED 4-PIN BAYONET
4-PIN BAYONET, WELDED CONNECTION
CAN - PROCESS CONNECTION WELDED

Performance

- Accuracy:
 - B.F.S.L. $\leq 0.25\%$ of full scale
 - NIST up to $\pm 0.1\%$ available on select ranges
- Temp Compensation Range:
 - $0^\circ - 130^\circ\text{F}$ ($-17^\circ - 54^\circ\text{C}$)
- Extended Temp Compensation Ranges: (Optional)
 - $-40^\circ - 180^\circ\text{F}$ ($-40^\circ - 82^\circ\text{C}$)
 - $0^\circ - 185^\circ\text{F}$ ($-17^\circ - 85^\circ\text{C}$)
- No Temperature Specification for ≤ 5 psi

Connectivity

- Output:
 - 4-20 mA
 - 0-5 VDC
 - 1-5 VDC
 - 1-6 VDC
 - 0-10 VDC
- Online Datalogging (4-20mA output only)
Via APG's Settler and Explorer

Electrical

- Supply Voltage:
 - 4-20 mA: 10 - 36 VDC
 - 0-5 VDC: 9 - 33 VDC
 - 1-5 VDC: 9 - 33 VDC
 - 1-6 VDC: 9 - 33 VDC
 - 0-10 VDC: 14 - 33 VDC
- Electrical Protection:
 - Reverse polarity

Physical

- Material: 15-5, 17-4, or 316L SS

Programming

- Field Calibration:
 - Zero and Span adjust

COMMON MODEL CONFIGURATIONS

4-20 mA Output

Model Number	Model Description
PT-LI-C-15-PSIA-E5-5-P0-N0-M1-V0-K0-S0	0-15 PSI, Absolute Pressure Reference, 1/4" NPTM, 316L SS , 5 ft. cable
PT-LI-C-60-PSIA-E5-5-P0-N0-M1-V0-K0-S0	0-60 PSI, Absolute Pressure Reference, 1/4" NPTM, 316L SS , 5 ft. cable
PT-LI-C-5-PSIG-E5-5-P0-N0-M1-V0-K0-S11	0-5 PSI, Gauge Pressure Reference, 1/4" NPTM, 316L SS , 5 ft. cable
PT-LI-C-30-PSIG-E5-5-P0-N0-M1-V0-K0-S0	0-30 PSI, Gauge Pressure Reference, 1/4" NPTM, 316L SS , 5 ft. cable
PT-LI-C-100-PSIG-E5-5-P0-N0-M1-V0-K0-S0	0-100 PSI, Gauge Pressure Reference, 1/4" NPTM, 316L SS , 5 ft. cable
PT-LI-C-1000-PSIS-E5-5-P0-N0-M2-V0-K0-S0	0-1,000 PSI, Sealed Gauge Reference, 1/4" NPTM, 17-4 SS , 5 ft. cable
PT-LI-C-5000-PSIS-E5-5-P0-N0-M2-V0-K0-S0	0-5,000 PSI, Sealed Gauge Reference, 1/4" NPTM, 17-4 SS , 5 ft. cable
PT-LI-C-10000-PSIS-E5-5-P0-N0-M2-V0-K0-S0	0-10,000 PSI, Sealed Gauge Reference, 1/4" NPTM, 17-4 SS , 5 ft. cable

ACCESSORIES

Please order separately, by part number.

Mating Connector	Part Number	Cable in Feet Part Number Suffix		Cable Lengths
		mA Output	VDC Output	
4-pin bayonet mating connector (E3)	509010	-10xx	-20xx	02, 05, 10, 25
4-pin female (M12) mating connector (E4)*	--	135407-000x		2 meters, 5 meters
6-pin circular mating connector (E1)	509110	-10xx	-20xx	02, 05, 10, 25
6-pin bayonet mating connector (E17)	509120	-10xx	-20xx	02, 05, 10, 25

*Note: 4-pin female (M12) must be ordered with 2 or 5 **meters** of cable. It is not available as mating connector only.

MODEL CONFIGURATION OPTIONS

Model Number: PT - - C - - - - - - - - - - - - -

A B C D E F G H I J K L

A. Operation

- L1** 4-20 mA
- L3** 0-5 VDC
- L10** 0-10 VDC
- L11** 1-6 VDC
- L12** 1-5 VDC
- L21** 1-10 VDC

B. Common Pressure Ranges - PSI*

- | | | | | |
|-----------------------------|------------------------------|------------------------------|-------------------------------|--------------------------------|
| <input type="checkbox"/> 5 | <input type="checkbox"/> 50 | <input type="checkbox"/> 200 | <input type="checkbox"/> 1000 | <input type="checkbox"/> 5000 |
| <input type="checkbox"/> 15 | <input type="checkbox"/> 60 | <input type="checkbox"/> 300 | <input type="checkbox"/> 2000 | <input type="checkbox"/> 10000 |
| <input type="checkbox"/> 30 | <input type="checkbox"/> 100 | <input type="checkbox"/> 500 | <input type="checkbox"/> 3000 | |

*Other ranges available. Please consult factory.

C. Unit of Measure

<input type="checkbox"/> PSI▲	<input type="checkbox"/> kPa	<input type="checkbox"/> inHg
<input type="checkbox"/> bar	<input type="checkbox"/> inH2O	<input type="checkbox"/> kgcm2
<input type="checkbox"/> mbar	<input type="checkbox"/> mmHg	<input type="checkbox"/> fsw

D. Pressure Type

- A** Absolute
- S** Sealed
- G** Gauge

E. Electrical Connection

Mating connector sold separately

- E3** 4-pin bayonet
- E4** 4-pin M12 Micro Connector
- E5▲** Pigtail with cable (specify length below)
- E17** 6-pin bayonet

F. Electrical Cable Length

- Number represents cable length, in 5-ft increments, included on E5 pigtail option above. (ex. E5-10 represents pigtail with 10 ft. cable)

Note: ▲Indicates this option is standard.

G. Process Connection

- P0▲** 1/4 - 18 male NPT
- P4** 7/16 SAE male flush mount
- P5** 1/4 - 18 female NPT
- P7** 7/16 - 20 SAE male
- P14** 1/8 - 27 male NPT
- P16** PT 1/4 (BSPP) male
- P22** G3/8 (3/8 BSPP) male
- P23** G1/2 (1/2 BSPP) male
- P30** High Pressure Sno Trik (M-250C, Autoclave male)
- P54** 7/16 - 20 UNJF-3A Male w/ Cone

H. Accuracy

1-5,000 psi

- N0*▲** ±0.25%
 - N1*** ±0.25% with NIST certification
 - N2** ±0.1% with NIST certification
- 10,000 psi
- N12** ±0.5%
 - N13** ±0.5% with NIST certification

*Note: ±0.25% available at 10,000 psi for 4-20 mA output only.

I. Materials

- M0** 15-5 SS (≥ 1k psi)
- M1▲** 316L SS (up to 5k psi)
- M2** 17-4 SS (≥ 1k psi)

J. Vibration

- V0▲** Standard
- V1** High (not available with K0)

K. Can Assembly Connections

	Can - Elec Conn.	Can - Process Conn.	E Options
<input type="checkbox"/> K0▲	Knurl	Loc-Tite	E1 - E5
<input type="checkbox"/> K1	Tamper Resist*	Loc-Tite	E1 - E5
<input type="checkbox"/> K2	Tamper Resist*	Weld	E1 - E5
<input type="checkbox"/> K3	Weld	Weld	E3, E17

* Tamper Resist: Smooth Nut with Loc-Tite

L. Temperature Compensation Range

- S0▲** Standard: 0° - 130°F (-17° - 54°C)
- S1** Extended: -40° - 180°F (-40° - 82°C)
- S4** Extended: 0° - 185°F (-17° - 85°C)
- S11▲** No Temperature Specification (≤ 5 psi)