

MNU Series

Modbus/Tank Cloud Ultrasonic Sensor

Datasheet

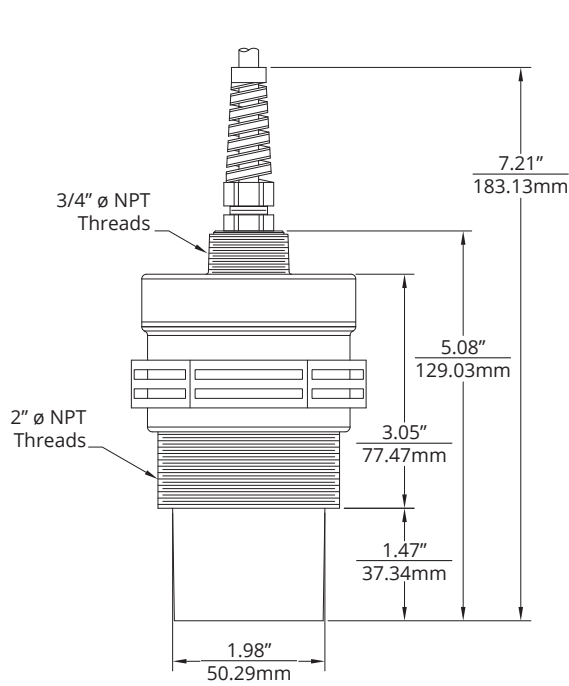


MNU series ultrasonic sensors are the ultimate marriage of versatility and control. With a variety of sensing ranges and NPT mounting options, an MNU ultrasonic sensor can be used almost anywhere. And since MNUs are built on Modbus RTU protocol (RS-485), each sensor is highly configurable. When paired with a Tank Cloud web-enabled controller, all of the MNU's configuration options are available online.

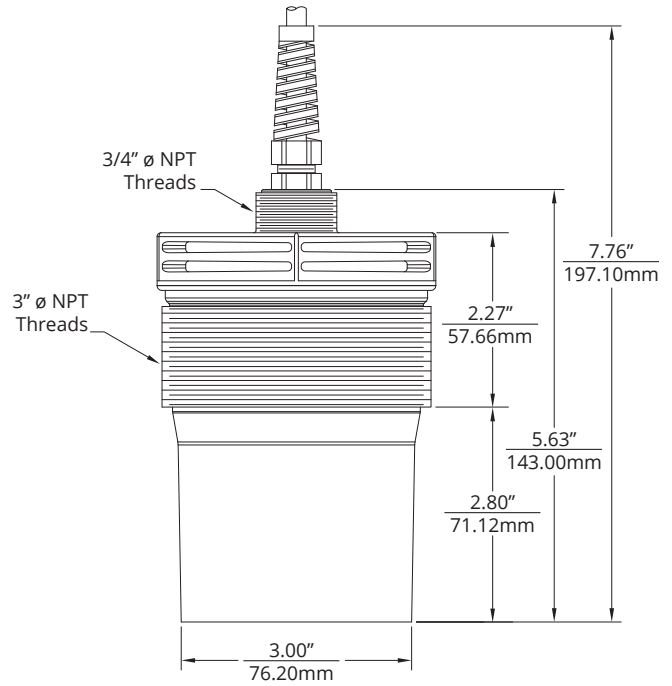
Features

- Ranges from 4 in to 40 ft
- Self-Contained Sensor
- RS-485 Modbus RTU Interface
- Measure Distance, Level, or Volume
- Internal Temperature Compensation

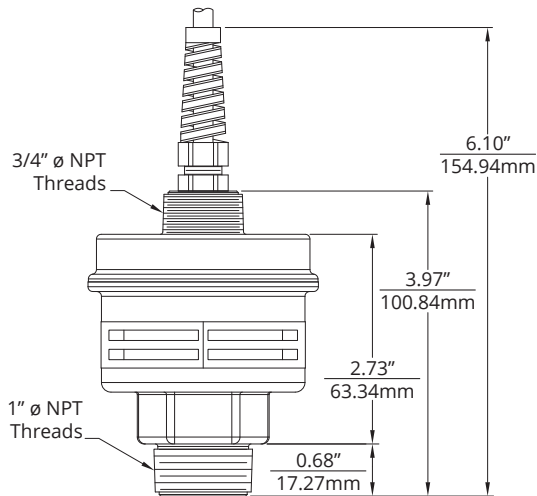
MNU DIMENSIONS



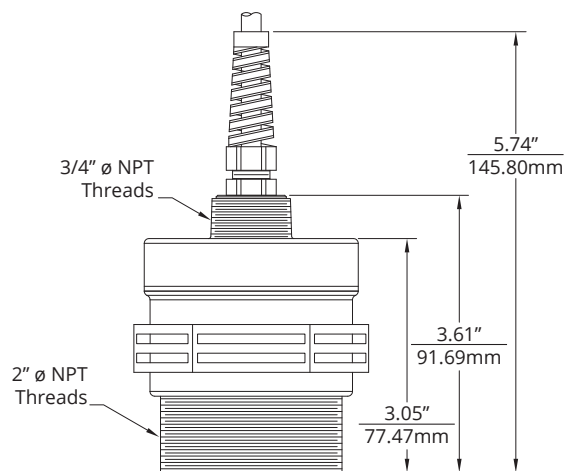
MNU-2424 & MNU-8424



MNU-3434



MNU-5414



MNU-5424

SPECIFICATIONS

Performance

Operating Range	0.3 - 6.6 ft. / 4 in. - 79 in. / 101mm - 2007mm (54x4) 0.42 - 12.0 ft. / 5 in. - 144 in. / 125mm - 3658mm (8424) 1.0 - 25.0 ft. / 12 in. - 300 in. / 305mm - 7620mm (2424) 1.5 ft. - 40 ft. / 18 in. - 480 in. / 458mm - 12192mm (3434)
Digital Output	Modbus, via RS-485
Beam Pattern	9° off axis
Transducer Frequency	43 kHz (3434) / 69 kHz (2424) / 81 kHz (8424) / 143 kHz (54x4)
Response Time	Programmable, 10 ms minimum (100 Hz)

Accuracy

Accuracy	±0.25% of detected range
Resolution	0.1 inch (2.54 mm)

Environmental

Operating Temperature	-34 to 60°C (-30 to 140°F)
Internal Temperature Compensation	Yes
NEMA rating	6P

Electrical

Operational Supply Voltage (at sensor)	8-24 VDC
Current Draw	35 mA max @ 12 VDC 20 mA max @ 24 VDC
Connection	2 Twisted Pair, or 4-pin Micro Connector

Materials of Construction

Transducer Housing	PBT/Polycarbonate blend
Transducer Type	Ceramic, PVDF faced (2424, 54x4, 8424) Ceramic, PBT/Polycarbonate faced (3434)

Mounting

MNU-2424	2" Ø NPT (front), 3/4" Ø NPT (rear)
MNU-3434	3" Ø NPT (front), 3/4" Ø NPT (rear)
MNU-5414	1" Ø NPT (front), 3/4" Ø NPT (rear)
MNU-5424	2" Ø NPT (front), 3/4" Ø NPT (rear)
MNU-8424	2" Ø NPT (front), 3/4" Ø NPT (rear)

Tank Cloud

Put Your Tanks In The Cloud

1 Remote Sensors

Connect to any 4-20mA signal or APG Modbus sensor for constant access to your data. Access up to 10 sensors on a single connection.

2 Use the Internet Backbone

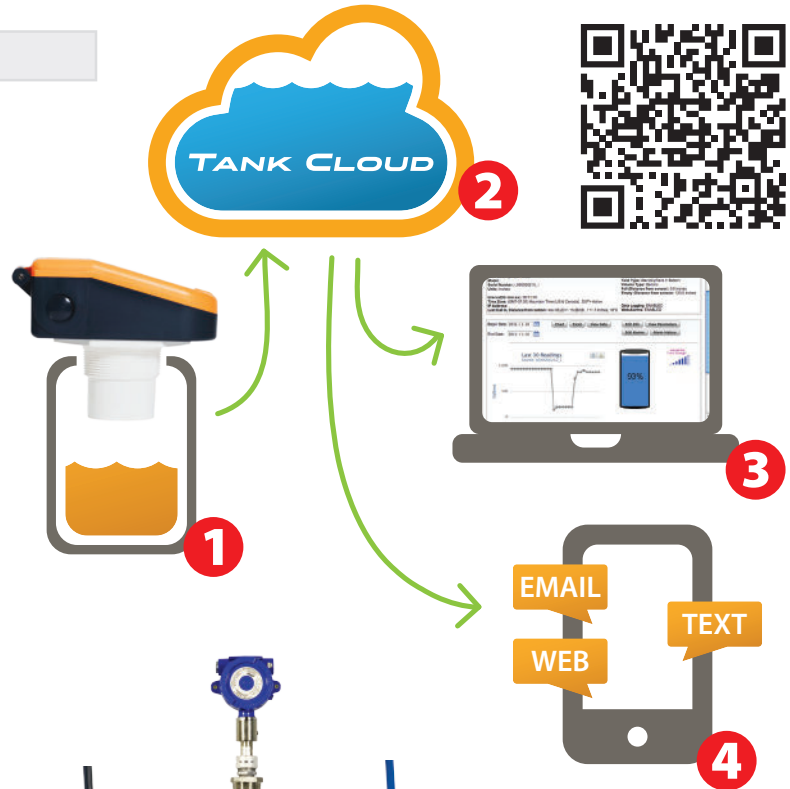
Connect the APG sensor or module to the Internet via landline, radio, cellular, or satellite.

3 View Secure Data 24/7

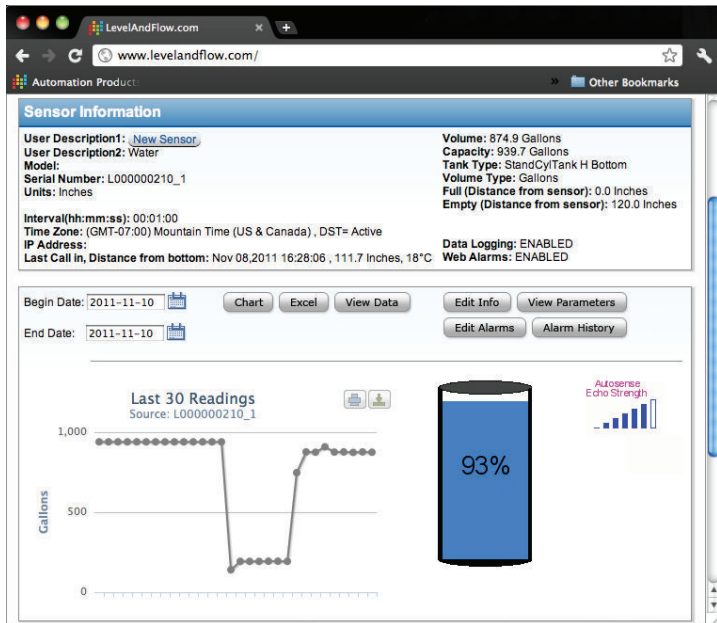
Access sensor data online through our secure portal at levelandflow.com. If the Internet is accessible, so is your information.

4 Stay Up-To-Date

Program custom alarms - receive email and text (sms) message alerts on your computer, mobile phone, or tablet.



The Line-Up:



Online Data Portal

The Tank Cloud data portal, located online at www.levelandflow.com, displays everything you need to know about your measurement.

Here you can:

- View your current and past readings,
- Manage alarms,
- Configure your sensors,
- and Setup user permissions for others in your organization.

Measurements are sorted by location and grouped into sites. Simply select the site you would like to view, and then choose the sensor. Current readings are prominent in the center of the screen.

Contact us today at 888-525-7300 to set-up a demonstration of our sensors and online software. We are excited to show you how it can impact your business.



Automation Products Group, Inc.
Tel: 1 (888) 525-7300 or 1 (435) 753-7300

e-mail: sales@apgsensors.com
www.apgsensors.com

Automation Products Group, Inc.
1025 W. 1700 N.
Logan, UT 84321