

# Amplified Output Industrial Pressure Transducers

## Series: PT-L1/L3/L10



Our amplified output pressure transducers are the economical answer for all applications requiring high accuracy and reliability over a wide range of pressures. The PT-L1/L3/L10 pressure transducers offer ranges up to 10,000 psi, all stainless steel construction, high burst pressure, and high accuracy.

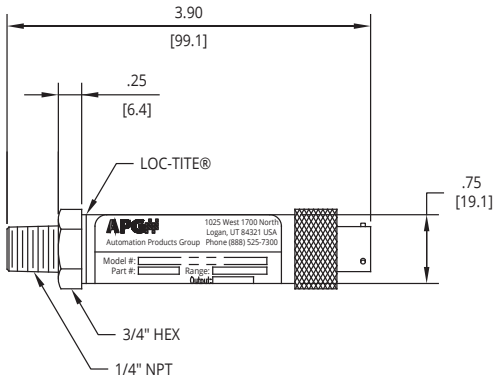
### Features

- Cost effective
- High overpressure capability
- Zero and span adjustments
- Single piece stainless steel process fitting and sensor

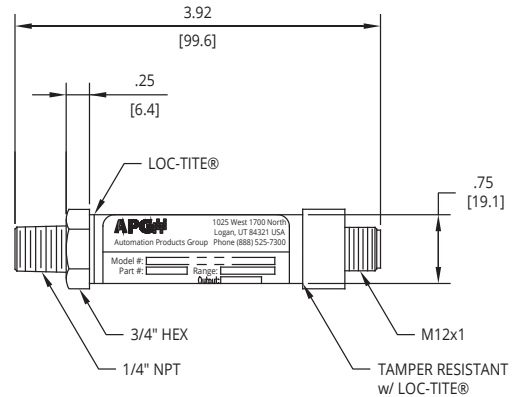


# PT-L1/L3/L10 Specifications

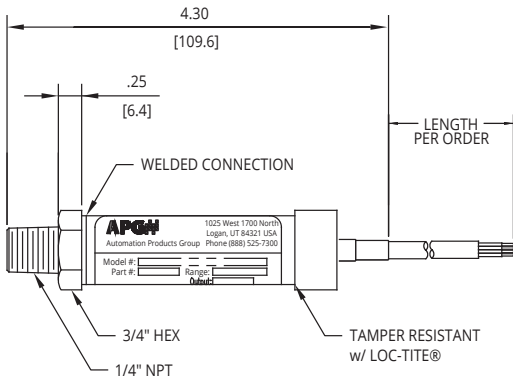
All dimensions are only approximate. For application-specific inquiries, please contact our application specialists. Drawings not intended for replication.



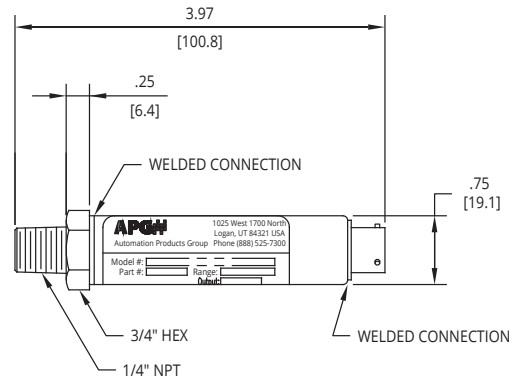
**K0, E3 - KNURLED NUT, 4-PIN BAYONET**  
4-PIN BAYONET w/ KNURLED NUT  
CAN - PROCESS CONNECTION w/ LOC-TITE®



**K1, E4 - TAMPER RESISTANT NUT, 4-PIN M12**  
EUROFAST M12 w/ TAMPER RESISTANT NUT & LOC-TITE®  
CAN - PROCESS CONNECTION w/ LOC-TITE®



**K2, E5 - TAMPER RESISTANT NUT, PIGTAIL**  
CABLE PIGTAIL W/ TAMPER RESISTANT NUT & LOC-TITE®  
CAN - PROCESS CONNECTION WELDED



**K3, E3 - WELDED 4-PIN BAYONET**  
4-PIN BAYONET, WELDED CONNECTION  
CAN - PROCESS CONNECTION WELDED

## Performance

- Accuracy:
  - B.F.S.L.  $\leq 0.25\%$  of full scale
  - NIST up to  $\pm 0.1\%$  available on select ranges
- Temp Compensation Range:
  - $0^\circ - 130^\circ\text{F}$  ( $-17^\circ - 54^\circ\text{C}$ )
- Extended Temp Compensation Ranges: (Optional)
  - $-40^\circ - 180^\circ\text{F}$  ( $-40^\circ - 82^\circ\text{C}$ )
  - $0^\circ - 185^\circ\text{F}$  ( $-17^\circ - 85^\circ\text{C}$ )
- No Temperature Specification for  $\leq 5$  psi

## Connectivity

- Output:
  - 4-20 mA
  - 0-5 VDC
  - 1-5 VDC
  - 1-6 VDC
  - 0-10 VDC
- Internet Connectivity:
  - RST-5003 (4-20 mA version only)

## Electrical

- Supply Voltage:
  - 4-20 mA: 10 - 36 VDC
  - 0-5 VDC: 9 - 33 VDC
  - 1-5 VDC: 9 - 33 VDC
  - 1-6 VDC: 9 - 33 VDC
  - 0-10 VDC: 14 - 33 VDC
- Electrical Protection:
  - Reverse polarity

## Physical

- Material: 15-5, 17-4, or 316L SS

## Programming

- Field Calibration:
  - Zero and Span adjust

# Common Model Configurations

## 4-20 mA Output

Model Number	Model Description
PT-L1-C-15-PSIA-E5-5-P0-N0-M1-V0-K0-S0	<b>0-15 PSI, Absolute</b> Pressure Reference, 1/4" NPTM, 316L SS, 5 ft. cable
PT-L1-C-60-PSIA-E5-5-P0-N0-M1-V0-K0-S0	<b>0-60 PSI, Absolute</b> Pressure Reference, 1/4" NPTM, 316L SS, 5 ft. cable
PT-L1-C-5-PSIG-E5-5-P0-N0-M1-V0-K0-S11	<b>0-5 PSI, Gauge</b> Pressure Reference, 1/4" NPTM, 316L SS, 5 ft. cable
PT-L1-C-30-PSIG-E5-5-P0-N0-M1-V0-K0-S0	<b>0-30 PSI, Gauge</b> Pressure Reference, 1/4" NPTM, 316L SS, 5 ft. cable
PT-L1-C-100-PSIG-E5-5-P0-N0-M1-V0-K0-S0	<b>0-100 PSI, Gauge</b> Pressure Reference, 1/4" NPTM, 316L SS, 5 ft. cable
PT-L1-C-1000-PSIS-E5-5-P0-N0-M2-V0-K0-S0	<b>0-1,000 PSI, Sealed Gauge</b> Reference, 1/4" NPTM, 17-4 SS, 5 ft. cable
PT-L1-C-5000-PSIS-E5-5-P0-N0-M2-V0-K0-S0	<b>0-5,000 PSI, Sealed Gauge</b> Reference, 1/4" NPTM, 17-4 SS, 5 ft. cable
PT-L1-C-10000-PSIS-E5-5-P0-N0-M2-V0-K0-S0	<b>0-10,000 PSI, Sealed Gauge</b> Reference, 1/4" NPTM, 17-4 SS, 5 ft. cable

## Accessories

Please order separately, by part number.

Mating Connector	Part Number	Cable in Feet Part Number Suffix		Cable Lengths
		mA Output	VDC Output	
4-pin bayonet mating connector (E3)	509010	-10xx	-20xx	02, 05, 10, 25
4-pin female (M12) mating connector (E4)*	--	135407-000x		2 meters, 5 meters
6-pin circular mating connector (E1)	509110	-10xx	-20xx	02, 05, 10, 25
6-pin bayonet mating connector (E17)	509165	-10xx	-20xx	02, 05, 10, 25

\*Note: 4-pin female (M12) must be ordered with 2 or 5 **meters** of cable. It is not available as mating connector only.

