



## PT-200 SERIES

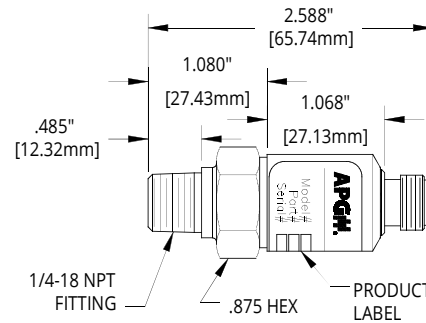
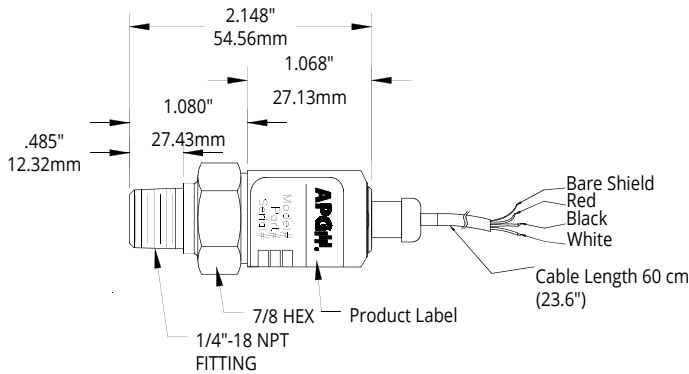
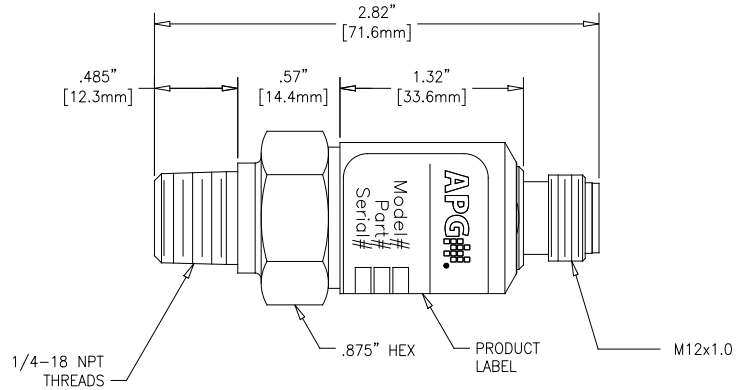
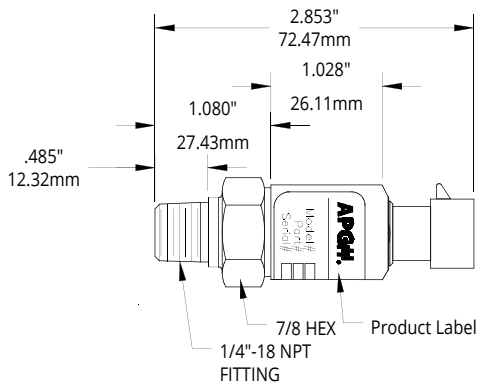
### 0.5% Industrial Pressure Transmitter

Series PT-200 0.5% Industrial Pressure Transmitters are rugged, general purpose sensors that offer reliable and accurate measurements under harsh conditions. The sensor fitting is machined from a solid piece of 17-4PH SS to provide stable operation when subjected to shock and vibration. PT-200s also incorporate digital compensation and temperature correction for high accuracy and stability.

#### FEATURES

- Cost effective
- High overpressure capability
- Single piece stainless steel process fitting and sensor
- Choice of three common electrical connections

# PT-200 SPECIFICATIONS



## PERFORMANCE

- **Accuracy:**  
±0.5% BFSL
- **Thermal Shift Stability:**  
Zero: ±0.01% FSO/°C (±0.02% FSO/°F) or ±1.5% FS\*  
Span: ±0.02% FSO/°C (±0.04% FSO/°F) or ±2% FS\*
- **Long-Term Stability:**  
< ±0.5% FSO/year or < ±0.25% FS/year\*
- **Proof Pressure:** 2x full scale
- **Burst Pressure:** 3.5x full scale or 3x full scale\*

## ENVIRONMENTAL

- **Operating Temp:** -10° to 100°C (14° to 212°F) or -10° to 85°C (14° to 185°F)\*
- **Compensated Temp:** 0° to 85°C (32° to 185°F) or 0° to 70°C (32° to 158°F)\*
- **Storage Temp:** -20 to 125°C (-4 to 257°F)
- **Enclosure Protection:** IP65

## ELECTRICAL

- **Supply Voltage:** 9-32 VDC
- **Loop Resistance:** < 100 Ω
- **Current Draw:** < 30 mA

## PHYSICAL

- **Wetted Materials:** 17-4PH SS
- **Housing Materials:** 304 SS
- **Process Connection:** 1/4"-18 Male NPT

\*Note: This option refers to M12 connectors with 100 psi and 150 psi units only

# COMMON MODEL CONFIGURATIONS

4-20 mA Output, 1/4" Male NPT, 17-4PH SS

Model Number	Model Description
PT-200-L1-100PSIG-E5-P0	0-100 PSI, Gauge Pressure Reference, 2 ft. (60 cm) cable
PT-200-L1-250PSIG-E5-P0	0-250 PSI, Gauge Pressure Reference, 2 ft. (60 cm) cable
PT-200-L1-500PSIG-E5-P0	0-500 PSI, Gauge Pressure Reference, 2 ft. (60 cm) cable
PT-200-L1-1000PSIG-E5-P0	0-1,000 PSI, Gauge Pressure Reference, 2 ft. (60 cm) cable
PT-200-L1-2500PSIG-E5-P0	0-2,500 PSI, Gauge Pressure Reference, 2 ft. (60 cm) cable
PT-200-L1-5000PSIG-E5-P0	0-5,000 PSI, Gauge Pressure Reference, 2 ft. (60 cm) cable
PT-200-L1-10000PSIG-E5-P0	0-10,000 PSI, Gauge Pressure Reference, 2 ft. (60 cm) cable
PT-200-L1-100PSIG-E51-P0	0-100 PSI, Gauge Pressure Reference, Packard Connector
PT-200-L1-250PSIG-E51-P0	0-250 PSI, Gauge Pressure Reference, Packard Connector
PT-200-L1-500PSIG-E51-P0	0-500 PSI, Gauge Pressure Reference, Packard Connector
PT-200-L1-1000PSIG-E51-P0	0-1,000 PSI, Gauge Pressure Reference, Packard Connector
PT-200-L1-2500PSIG-E51-P0	0-2,500 PSI, Gauge Pressure Reference, Packard Connector
PT-200-L1-5000PSIG-E51-P0	0-5,000 PSI, Gauge Pressure Reference, Packard Connector
PT-200-L1-10000PSIG-E51-P0	0-10,000 PSI, Gauge Pressure Reference, Packard Connector

## PT-200 ACCESSORIES

Please order separately, by part number.

Description	Part Number
3-pin Packard Connector with 3 ft. Cable	122991-0008
3-pin Packard Connector with 9 ft. Cable	122991-0009
3-pin Packard Connector with 18 ft. Cable	122991-0010

## MODEL CONFIGURATION OPTIONS

MODEL NUMBER: PT-200 –      –      –      –      –       
A B C D E

### A. Output

- L1 4-20 mA output

### B. Common Pressure Ranges—PSI

- 100
- 250
- 500
- 2500
- 10000
- 200
- 300
- 1000
- 5000

### C. Unit of Measure

- PSIG Gauge

### D. Electrical Connection

- E4 M12 connector
- E5 Pigtail with 2 ft. (60 cm) of cable
- E51 Packard Connector

### E. Process Connection

- P0 1/4"–18 Male NPT