

Vibrating Level Sensors Series VBL

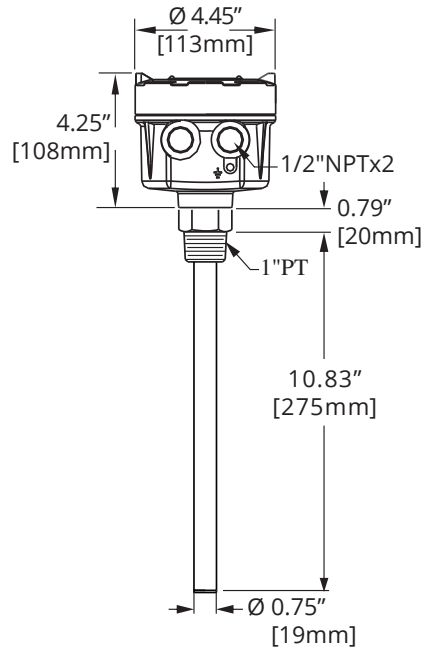


The VBL vibrating level sensor works well with solids of many types in medium and large sized hoppers. The VBL allows you to adjust the sensitivity setting to accurately detect the presence of different types of solids.

Features

- Miniature size
- Simple torque adjustment
- Reliable design
- Low cost





Performance

- 1 SPDT switch
- Sensitivity Dial
 - L - larger particle volume/density
 - H - smaller particle volume/density

Physical

- Housing:
 - Aluminum Die Cast
 - IP65/NEMA 4
- Vibration Rod:
 - 304 / 316 SS
- Length:
 - 10.83" [275mm]

Electrical

- Supply Voltage:
 - 20 - 250 VAC/VDC, 50/60 Hz
- Output Contact Rating:
 - 5A 250 VAC
- Power Consumption:
 - ≤ 15 VA

Environmental

- Ratings: IP65, NEMA 4
- Operating Temp:
 - Housing: -40° - 140°F (-40° - 60°C)
 - Rod: -40° - 176°F (-40° - 80°C)
- Maximum Pressure Rating:
 - 290 psi (20 bar)

Model Configuration Options

Model Number: VBL-12N-4T-SAT