



# SERIES: TLS

## Dual Point Cable Float Switch

Series TLS Cable Float Switch are dual-point switches that provide built-in hysteresis for better pump control. The switch operating levels are easily adjustable based on the cable weight location, and the floats are especially suited for use in waste water and sewage applications with low specific gravity.

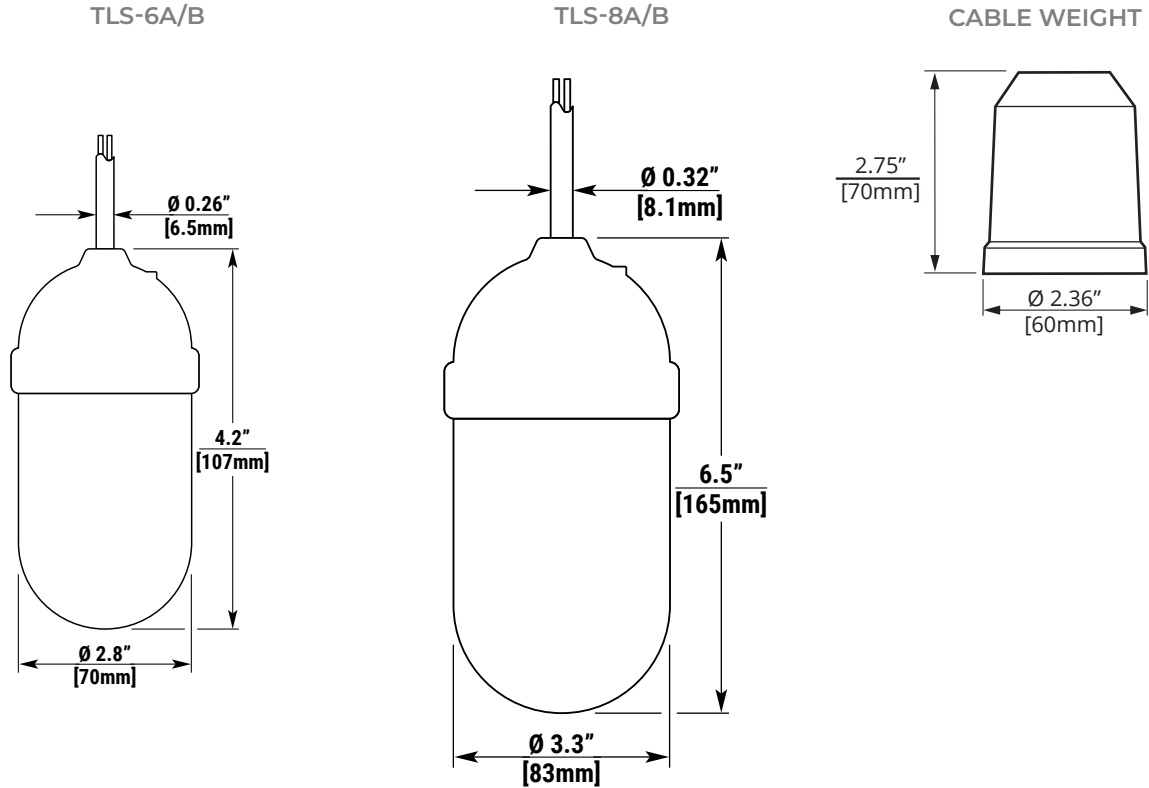
### FEATURES

- High or low level control
- Highly chemical resistant
- Proven reliability in operation
- Not sensitive to rotation
- Cable weight
- Customizable switching differential
- Available in NO (Normally Open) and NC (Normally Closed) contacts

### COMMON APPLICATIONS

- Pump control
- Wastewater and sewage systems
- Sump pits and drainage systems
- Tank level control
- Alarm systems
- Remote or deep wells
- Harsh or corrosive environments

# SERIES TLS SPECIFICATIONS



## PERFORMANCE

- **Switch Differential:**  
 TLS-6A/B: 11"–39" (0.27–1m)  
 TLS-8A/B: 13"–157" (0.33m–4m)
- **Maximum Pressure:**  
 TLS-6A/B: 29 psi (2 bar)  
 TLS-8A/B: 29 psi (2 bar)
- **Maximum Water Depth/Cable Length:**  
 TLS-6A/B: 65.6 ft. (20m)  
 TLS-8A/B: 65.6 ft. (20m)

## ENVIRONMENTAL

- **Liquid Operating Temperature:**  
 TLS-6A/B: 14°–122°F (-10°–50°C)  
 TLS-8A/B: 14°–122°F (-10°–50°C)  
 TLS-8A/B-T: 14°–158°F (-10°–70°C)
- **Protection:** IP68
- **Minimum Specific Gravity:**  
 TLS-6A/B: 0.7  
 TLS-8A/B: 0.9

## CONNECTIVITY

- **Cable:**  
 TLS-6A/B: 2/C 0.5mm<sup>2</sup> (~20 AWG)  
 TLS-8A/B: 2/C 0.75mm<sup>2</sup> (~18 AWG)

## ELECTRICAL

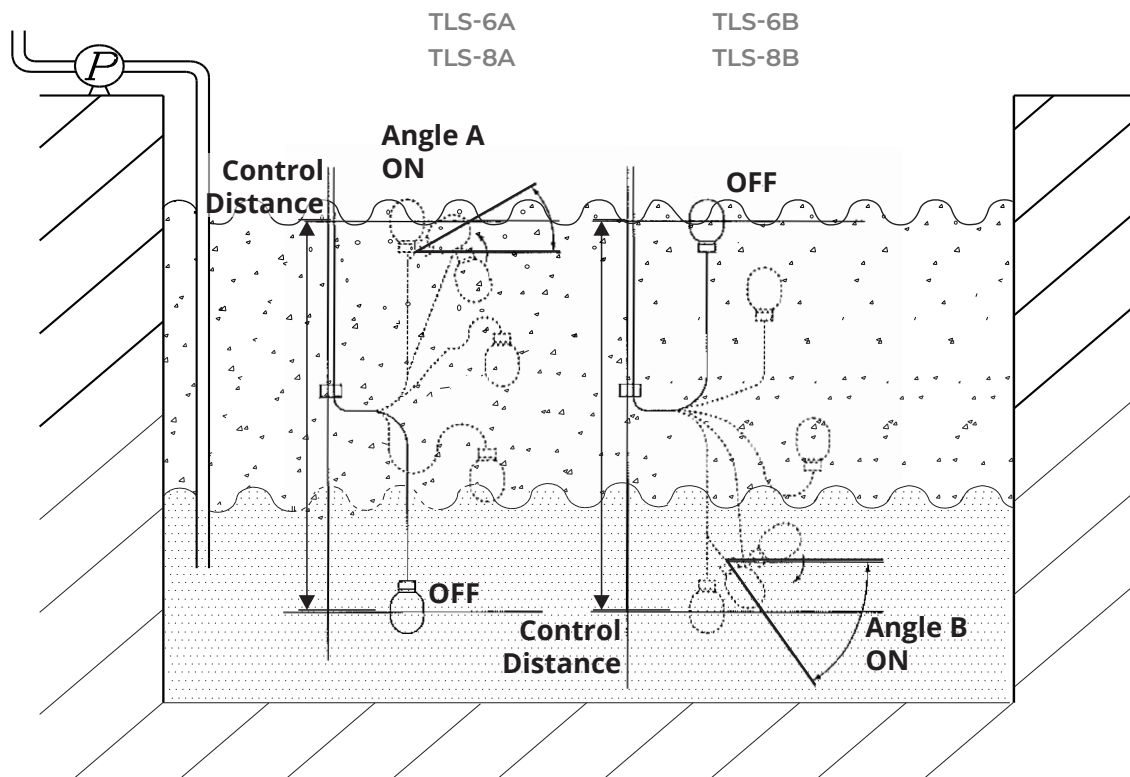
- **Voltage:**  
 TLS-6A/B: Max. 300 VAC/VDC  
 TLS-8A/B: Max. 300 VAC/VDC
- **Current Rating:**  
 TLS-6A/B: Max. 0.5 AC/DC  
 TLS-8A/B: Max. 0.5 AC/DC
- **Contact Rating:**  
 TLS-6A/B: Max. 50 VA AC/50W DC  
 TLS-8A/B: Max. 50 VA AC/50W DC
- 50/60 Hz

## PHYSICAL

- **Standard Cable Length:** 6m (19.7 ft.)
- **Housing:**  
 TLS-6A/B: Polypropylene with ABS Resin Cap  
 TLS-8A/B: ABS Resin
- **Cable:** PVC Jacket
- **Cable Weight:**  
 TLS-6A/B: Painted cast iron  
 TLS-8A/B: Painted cast iron

# COMMON MODEL CONFIGURATIONS

Model Number	Model Description
TLS-6A-6	Normally Open Switch (High Alarm), 11"–39" control distance, 6 meter cable, with weight
TLS-6B-6	Normally Closed Switch (Low Alarm), 11"–39" control distance, 6 meter cable, with weight
TLS-8A-6	Normally Open Switch (High Alarm), 13"–157" control distance, 6 meter cable, with weight
TLS-8B-6	Normally Closed Switch (Low Alarm), 13"–157" control distance, 6 meter cable, with weight



## TLS-6A

- **Actuation Angle A:**  
35°–70°
- **Control Distance:**  
11"–39" (0.27–1m)
- **Operation:**  
Normally Open (Empty Control)

## TLS-6B

- **Actuation Angle B:**  
-30°– -70°
- **Control Distance:**  
11"–39" (0.27–1m)
- **Operation:**  
Normally Closed (Fill Control)

## TLS-8A

- **Actuation Angle A:**  
11°–33°
- **Control Distance:**  
13"–157" (0.33–4m)
- **Operation:**  
Normally Open (Empty Control)

## TLS-8B

- **Actuation Angle A:**  
-13°– -39°
- **Control Distance:**  
13"–157" (0.33–4m)
- **Operation:**  
Normally Closed (Fill Control)

# MODEL CONFIGURATION OPTIONS

**MODEL NUMBER:** TLS -  $\frac{\quad}{A}$  -  $\frac{\quad}{B}$  -  $\frac{\quad}{C}$  -  $\frac{\quad}{D}$

## A. Size

- 6** Small Float—4.2" x ø 2.8", 11"-39" (0.27-1m) switching differential
- 8** Large Float—6.5" x ø 3.3", 13"-157" (0.33-4m) switching differential

## B. Model & Function

- A** (NO) Normally Open—High Alarm/Empty Control
- B** (NC) Normally Closed—Low Alarm/Fill Control

## C. Temperature Rating

- \*** Standard
- K** Extended Range (Size 8 float only)

## D. Cable Length

- \*** Standard 6m (19.75 ft.)
- L\_\_** Specify length in meters, up to 20m (65.6 ft.)

\*This option is standard

# COMMON ACCESSORIES

Please order separately, by part number.

Description	Part Number
PVC coated cable weight 1 lb. 5 oz. (0.6 kg.), 2.8" ø x 3.3' h	122907-0127